

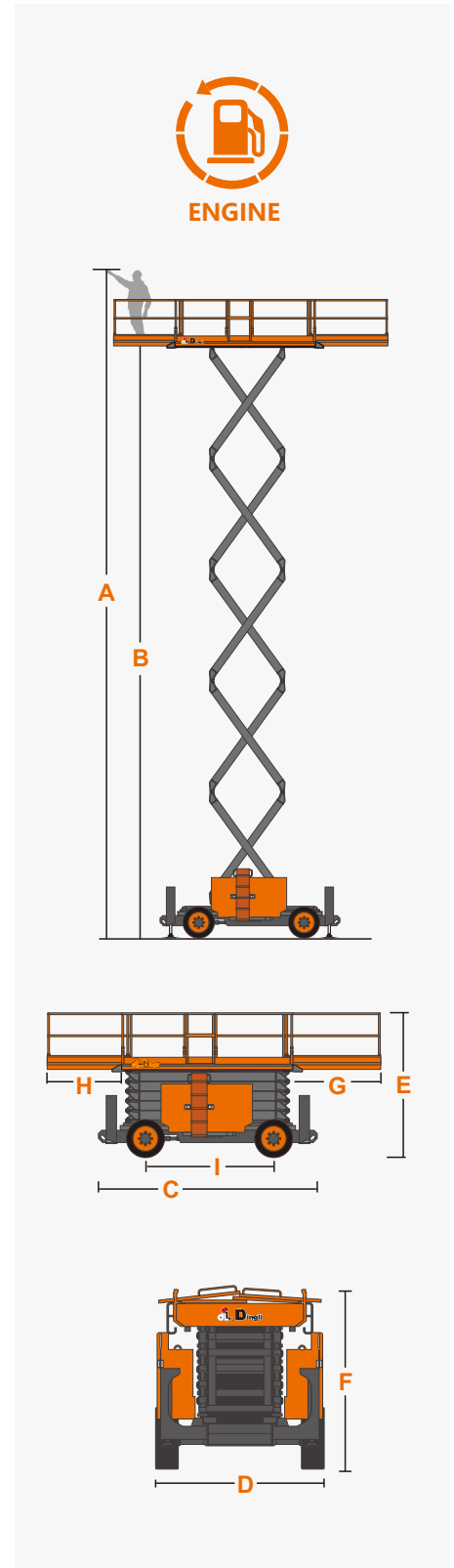
## SPECIFICATIONS

Size	Metric	British
Max. Working Height <b>A</b>	18.00m	59ft 1in
Max. Platform Height <b>B</b>	16.00m	52ft 6in
Overall Length <b>C</b>	4.88m	16ft
Overall Width <b>D</b>	2.33m	7ft 8in
Overall Height(Rails Up) <b>E</b>	3.23m	10ft 7in
Overall Height(Rails Down) <b>F</b>	2.47m	8ft 1in
Platform Size(Length×Width)	4.88m×1.83m	16ft×6ft
Platform Extension Size <b>G/H</b>	1.43m/1.13m	4ft 8in/3ft 8in
Ground Clearance	0.30m	1ft
Wheelbase <b>I</b>	2.86m	9ft 5in
Turning Radius(Inside/Outside)	2.70m/5.50m	8ft 10in/18ft
Tyres	315/55/D20	315/55/D20

Performance		
S.W.L	680kg	1499lb
S.W.L On Extension	227kg	500lb
Max. Occupants (Indoor/Outdoor)	4/4	4/4
Gradeability	30%	30%
Travel Speed(Stowed)	≥5.0km/h	≥3.11mph
Travel Speed(Raised)(<11m/≥11m)	≥1.0km/h ≥0.6km/h	≥0.62mph ≥0.37mph
Max. Working Slope(<11m/≥11m)	2°/3° 1.5°/3°	2°/3° 1.5°/3°
Up/Down Speed	78/74sec	78/74sec

Weight		
Overall Weight	8760kg	19313lb

Power		
Diesel Engine	18.2kW/3000rpm	18.2kW/3000rpm
Diesel Tank	80L	21gal
Hydraulic Tank	120L	32gal



## FEATURES

### Standard Items

- Drivable At Full Height
- Proportional Joystick Controls
- Self-Locking Gates
- Dual Slide-Out Platform Extension Deck
- Four-Wheel Drive
- Two-Wheel Steering
- Drive axle
- Wheel Braking
- Self-Weight Lowering System
- Tubing Explosion-Proof System
- Onboard Fault Diagnostic System
- Tilt Alarm
- Motion Alarm
- Horn
- Hour Meter
- Hydraulic Oil Cooling System
- Flashing LED Beacon
- Foldable Guard Rails
- Drive Enable
- Manual Brake Release
- Lanyard Attachment Point
- Tie-Down And Lifting Points
- Automatic Leveling Hydraulic Outriggers
- Anti-Restart Engine Protection
- Emergency Pump
- Emergency Stop Button
- Platform Load Sense System
- Oscillating Axle Chassis



### ZHEJIANG DINGLI MACHINERY CO., LTD.

Address: No.188 Qihang Road,Deqing,Zhejiang P.R.C 313219

Telephone: +86(572)8681688

E-Mail: [export@cndingli.com](mailto:export@cndingli.com)

[Https://en.cndingli.com](https://en.cndingli.com)

Due to continuous technology updates, technical parameters are subject to change without notice. This picture book is for reference only, the actual product shall prevail. The copyright is owned by zhejiang dingli, any content may not be copied for any purpose without written permission.

2024-12

