

SPECIFICATIONS

Size	Metric	British
Max. Working Height A	11.00m	36ft 1in
Max. Platform Height B	9.00m	29ft 6in
Overall Length(Stowed) C	1.70m	5ft 7in
Overall Width(Stowed) D	0.82m	2ft 8in
Overall Height(Stowed) E	1.99m	6ft 6in
Outrigger Footprint(Length F ×Width G)	2.31m/2.39m	7ft 7in/7ft 10in
Platform Size(Length H ×Width I)	1.40m×0.65m	4ft 7in×2ft 2in
Ground Clearance	0.055m	2in
BackSize	0.18m	7in
FrontSize	0.18m	7in

Performance

S.W.L	300kg	661lb
Max. Occupants	2	2
Up/Down Speed	62/40sec	62/40sec

Weight

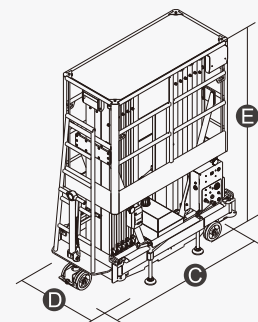
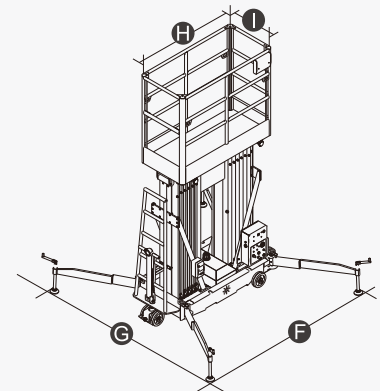
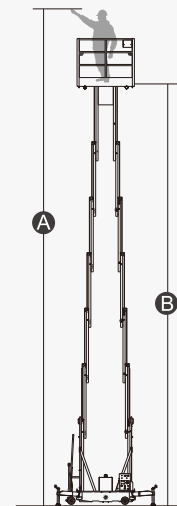
Weight - AC	780kg	1719lb
Weight - DC	840kg	1851lb

Power

Battery	2×12V/85Ah	2×12V/85Ah
Charger	12V/15A	12V/15A
Lifting Motor - AC	220VAC/1.5kW	220VAC/1.5kW
Lifting Motor - DC	12VDC/2.5kW	12VDC/2.5kW



ELECTRIC



FEATURES

Standard Items

- Self-Locking Gates
- Emergency Descent System
- Tubing Explosion-Proof System
- Motion Alarm
- Charging Indicator(DC type)
- Charging Protection System(DC type)
- Flashing Beacon
- Lanyard Attachment Point
- Tie-Down And Lifting Points
- Emergency Stop Button



ZHEJIANG DINGLI MACHINERY CO., LTD.

Address: No.188 Qihang Road,Deqing,Zhejiang P.R.C 313219

Telephone: +86(572)8681688

E-Mail: export@cndingli.com

[Https://en.cndingli.com](https://en.cndingli.com)

Due to continuous technology updates, technical parameters are subject to change without notice. This picture book is for reference only, the actual product shall prevail. The copyright is owned by zhejiang dingli, any content may not be copied for any purpose without written permission.
2022-10

