

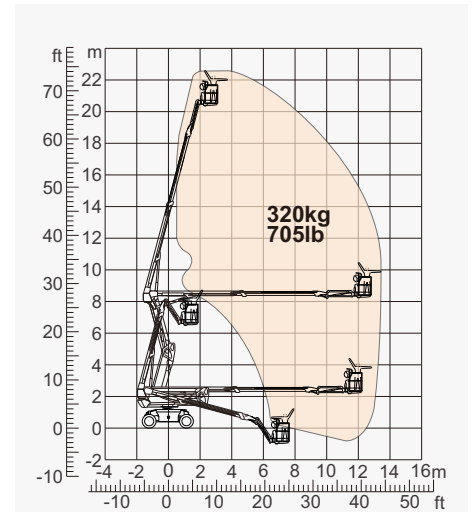
SPECIFICATIONS

Dimension	Metric	British
Max. Working Height	22.04 m	72' 4"
Max. Platform Height	20.04 m	65' 9"
Max. Operating Range(+0.6m)	13.17 m	43' 2"
Max. Platform Range	12.57 m	41' 3"
Flatbed Transport Dimensions (L×W×H)	7.36 × 2.44 × 2.59 m	24' 2" × 8' × 8' 6"
Standard Container Transport	All Applicable	All Applicable
Platform Size(Length ×Width)	1.83 × 0.79 m	6' × 2' 7"
Turntable Tailswing	0.70 m	2' 4"
Ground Clearance A	0.31 m	1'
Wheelbase B	2.40 m	7' 10"
Turning Radius(Inside/Outside)	3 / 4.73 m	9' 10" / 15' 6"
Tyres	315/55D20	315/55D20
Max. Up And Over Clearance	8.18 m	26' 10"
Max. Down Probing Depth	1.74 m	5' 8"

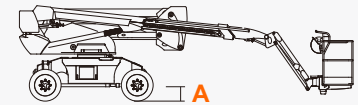
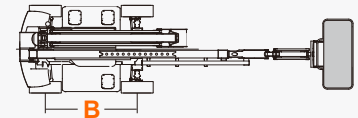
Performance		
S.W.L	320 kg	705 lbs
Max. Occupants	2	2
Gradeability	35%	35%
Travel Speed(Stowed-Raised)	6.0 - 1.1 km/h	3.7 - 0.7 mph
Max. Working Slope(X/Y)	5° / 5°	5° / 5°
Turret Rotation	360° Continuous	360° Continuous
Platform Rotation	180°	180°
Jib Movement	132°	132°

Weight		
Overall Weight	9700 kg	21384 lbs

Power		
Lithium Battery	80VDC / 67.5Ah	80VDC / 67.5Ah
Emergency Power System	12V	12V
Diesel Engine	Kubota D1105 / 18.2kW	Kubota D1105 / 18.2kW
Diesel Tank	115 L	30 gal
Hydraulic Tank	145 L	38 gal



Range Of Motion



FEATURES

Standard Items

- 1.50m (4ft 11in) Jib
- Front Oscillating Axle
- Two-Wheel Steering
- Four-Wheel Drive
- Self-Leveling Platform
- 180° Left And Right Swing Platform
- Proportional Joystick Controls
- Thumb Rocker Steer
- Drive Enable
- Ac Power Cord To Platform
- Tilt Alarm
- Descent Alarm
- Flash
- Horn
- Hour Meter
- Integral Integrated Special Drive Axle
For Construction Machinery
- 360° Continuous Turntable Rotation
- Positive Traction Four Wheel Drive
- Platform Load Sense System
- Fault Diagnosis System
- Operator Anti-crushing Protection System
- Harsh Environment Kits
- 12V DC Auxiliary Power
- Kubota D1105 18kW 2600rpm Diesel Engine
- Hydraulic Oil Radiator
- Anti-restart Engine Protection
- Anti-reverse Engine Device
- Auto Engine Fault Shutdown



Articulated
Boom-BA



Working
Height-22m



Jib



MHEV-M



Rough
Terrain-RT



ZHEJIANG DINGLI MACHINERY CO., LTD.

Address: No.188 Qihang Road,Deqing,Zhejiang P.R.C 313219

Telephone: +86(572)8681688

E-Mail: export@cndingli.com

[Https://en.cndingli.com](https://en.cndingli.com)

Due to continuous technology updates, technical parameters are subject to change without notice. This picture book is for reference only, the actual product shall prevail. The copyright is owned by zhejiang dingli, any content may not be copied for any purpose without written permission.

2024-11

