

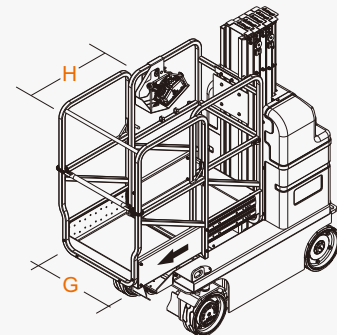
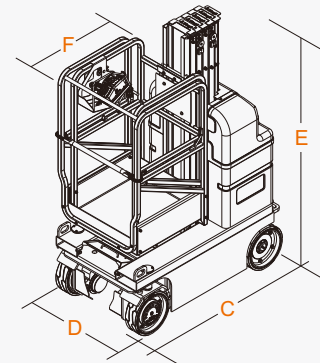
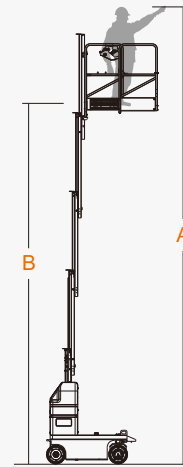
## SPECIFICATIONS

Dimension	Metric	British
Max. Working Height <b>A</b>	8.00m	26ft 3in
Max. Platform Height <b>B</b>	6.00m	19ft 8in
Overall Length <b>C</b>	1.39m	4ft 7in
Overall Width <b>D</b>	0.76m	2ft 6in
Overall Height <b>E</b>	1.99m	
Platform Size(Length <b>F</b> ×Width <b>G</b> )	0.73m×0.75m	2ft 5in×2ft 6in
Platform Extension Size <b>H</b>	0.53m	1ft 9in
Ground Clearance(Stowed)	0.06m	2in
Ground Clearance(Raised)	0.014m	1in
Wheelbase	1.07m	3ft 6in
Turning Radius(Inside/Outside)	0/1.55m	0/5ft 1in
Tyres	Φ323×100mm	Φ1ft 1in×4in

Performance		
S.W.L	159kg	350lb
Max. Occupants	1	1
Gradeability	25%	25%
Max. Working Slope(X/Y)	1.5°/ 3°	1.5°/ 3°
Travel Speed(Stowed)	≥ 4.0km/h	≥ 2.48mph
Travel Speed(Raised)	≥ 0.6km/h	≥ 0.37mph
Up/Down Speed	23/25sec	23/25sec

Weight		
Overall Weight	1310kg	2888lb

Power		
Battery	24V/115Ah	24V/115Ah
Charger	24VDC/15A	24VDC/15A
Driving Motor	2×24VDC/1.0kW	2×24VDC/1.0kW
Lifting Motor	24VDC/2.0kW	24VDC/2.0kW



## FEATURES

### Standard Items

- Proportional Joystick Controls
- Self-Locking Gates
- One-Way Platform Extension Deck
- Drivable At Full Height
- Non-Marking Tires
- Two-Wheel Drive
- Two-Wheel Steering
- Automatic Braking System
- Emergency Descent System
- Tubing Explosion-Proof System
- Fault Diagnosis System
- Tilt Alarm
- Motion Alarm
- Horn
- Hour Meter
- Standard Transport Forklift Holes
- Charging Protection System
- Flashing Beacon
- Automatic Pothole Protection
- Drive Enable
- Charging Indicator
- Manual Brake Release
- Lanyard Attachment Point
- Tie-Down And Lifting Points
- Platform Load Sense System
- Emergency Stop Button



### ZHEJIANG DINGLI MACHINERY CO., LTD.

Address: No.188 Qihang Road,Deqing,Zhejiang P.R.C 313219

Telephone: +86(572)8681688

E-Mail: [export@cndingli.com](mailto:export@cndingli.com)

[Https://en.cndingli.com](https://en.cndingli.com)

Due to continuous technology updates, technical parameters are subject to change without notice. This picture book is for reference only, the actual product shall prevail. The copyright is owned by zhejiang dingli, any content may not be copied for any purpose without written permission.

2024-11

